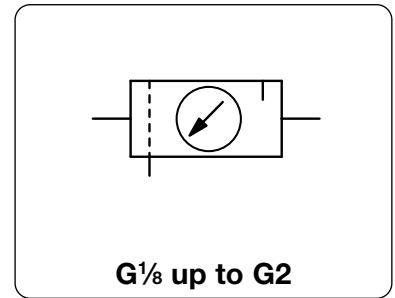


Description	Solid, low-cost FRL service unit made of zinc die-cast equipped with pressure gauge.
Media	compressed air or non-corrosive gases
Supply pressure	max. 16 bar for metal bowl with sight glass, max. 30 bar for metal bowl without sight glass
Adjustment	by plastic knob with snap-lock up to G $\frac{1}{2}$ by hexagon head screw from G $\frac{3}{4}$ up to G1 $\frac{1}{2}$ on (CD.-1A.) by T-handle from G1 $\frac{1}{2}$ (CD.-12.) up to G2 on
Relieving function	relieving, optionally non-relieving
Gauge port	G $\frac{1}{4}$ or G $\frac{1}{2}$ at CD.-01/-02, on both sides of the body, one screw plug supplied
Filter element	20 μ m or 50 μ m, optionally 5 μ m or 50 μ m, made of propylene Bowl metal version with or without sight glass
Drainage	semiautomatic drain as standard, optionally automatic (max. 16 bar) or manual drain for max. 30 bar
Temperature range	-10 °C to 50 °C / 14 °F to 122 °F metal bowl with sight glass, for G $\frac{1}{2}$ to G $\frac{3}{2}$ -20 °C to 60 °C / -4 °F to 140 °F metal bowl with sight glass, for G $\frac{3}{4}$ to G2 -30 °C to 80 °C / -22 °F to 176 °F metal bowl without sight glass, for all sizes
Material	Body: zinc die-cast at G $\frac{1}{2}$ and G $\frac{3}{4}$, aluminium at G $\frac{1}{2}$ up to G2 Elastomer: NBR/Buna-N Bowl: zinc die-cast



Dimensions			Combination	Bowl	Filter	Flow	Connection	Order
A	B	C	consisting	design	element	rate	thread	number
mm	mm	mm	of	made of / with		m ³ /h*1	G	

FRL unit, 3-part				P ₁ : max. 16 bar, P ₂ : 0.8...8 bar, 20 / 50 μ m, semiautomatic drain, relieving, with gauge				CD3	
120	201	128	FD+RD+LD	metal/sight glass	20	24	400	G $\frac{1}{8}$	CD3-01
								G $\frac{1}{4}$	CD3-02
192	251	148		metal/sight glass	50	108	1800	G $\frac{3}{8}$	CD3-03
								G $\frac{1}{2}$	CD3-04
427	312	179		metal/sight glass	50	228	3800	G $\frac{3}{4}$	CD3-06
								G1	CD3-08
531	312	179		metal/sight glass	50	228	3800	G1 $\frac{1}{4}$	CD3-10
								G1 $\frac{1}{2}$	CD3-1A
495	486	231		metal/sight glass	50	1320	22000	G1 $\frac{1}{2}$	CD3-12
								G2	CD3-16

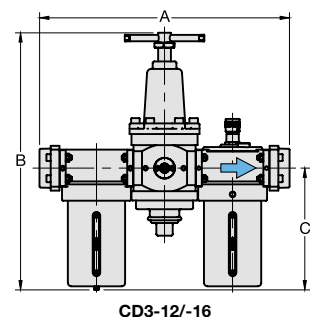
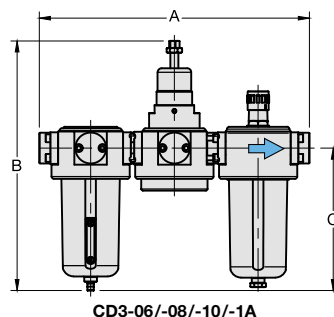
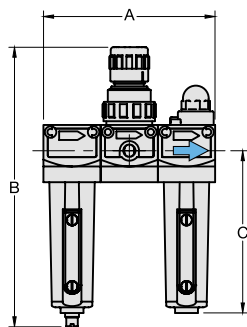


Special options, add the appropriate letter

5 μm filter element		for G $\frac{1}{8}$ up to G $\frac{1}{2}$	CD3-...G
		for G $\frac{3}{4}$ up to G1	CD3-...G
		for G1 $\frac{1}{4}$ up to G2	CD3-...G
0.3...3 bar regulation range			CD3-...B
1...15 bar			CD3-...E
operating press. 30 bar	only for metal bowl (without sight glass) with manual drain		CD3-...NH
manual drain	max. 16 bar		CD3-...H
automatic drain	drainage by float valve, max. 16 bar	for G $\frac{3}{8}$ up to G2	CD3-...R

Accessories, enclosed

mounting bracket	made of steel	for G $\frac{1}{8}$ and G $\frac{1}{4}$	BW30-02
mounting nut	made of plastic	for G $\frac{1}{8}$ and G $\frac{1}{4}$	M30x1,5K
mounting bracket	made of steel	for G $\frac{3}{8}$ and G $\frac{1}{2}$	BW50-03
mounting nut	made of plastic	for G $\frac{3}{8}$ and G $\frac{1}{2}$	M50x1,5K
mounting bracket	made of stainless steel	for G $\frac{3}{4}$ up to G1 $\frac{1}{2}$ (1A)	BW00-59S
set of brackets	made of steel	for G1 $\frac{1}{2}$ (12) and G2	BW00-61



*1 at 8 bar supply pressure, 6 bar outlet pressure and 1 bar pressure drop

Further details: see chapter for single devices
Spare parts: see separate spare parts list

PDF CAD
www.aircom.net



Order example:
CD3-01